

AVC **NPTZ51X42L**

QUICK START GUIDE

5MP MINI PTZ DOME NETWORK CAMERA

TABLE OF CONTENTS

- Package Contents..... 1
- Caution..... 1
- System Requirements..... 1
- Hardware Overview..... 2
- Camera Installation..... 3
- Mount Accessories..... 5
- Outdoor Installation..... 9
- Accessing the Network Camera..... 10

Thank you for purchasing this AVYCON IP Network Camera. This guide provides basic instructions on installing and accessing this IP Network Camera. For more details, please refer to the User Manual.

Package Contents

Before installation, please verify that all the necessary items are supplied in the box as the package contents listed below. If any item is missing or damaged, please contact the shipper and your Avycon Sales Representative.

	ITEMS	QUANTITY	DESCRIPTION
DEFAULT	Avycon Network Camera	1 Pc	The purchased model
	Power Adapter	1 Pc	DC 12V (Optional for part of devices)
	Quick Start Guide	1 Pc	Printed material
	Warranty Card	1 Pc	Printed material
OPTIONAL	Lens		If purchased
	Bracket & Screw Pack		If purchased

Caution

- * Make sure the device is firmly fixed when mounting it on the wall or ceiling
- * Make sure that the power supply voltage is correct before using the camera
- * Do not use a 3rd party Power Adapter
- * Never attempt to disassemble or modify the camera

System Requirements

OPERATING SYSTEM: Windows XP / Vista / 7 / 8 / 10 / Server 2000 / Server 2008

CPU: 1.66 Ghz or Higher

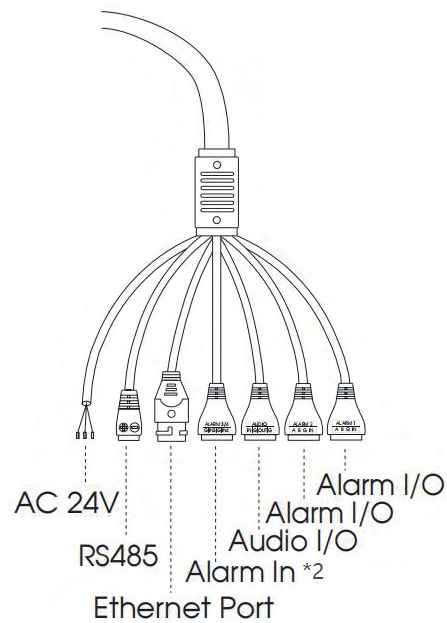
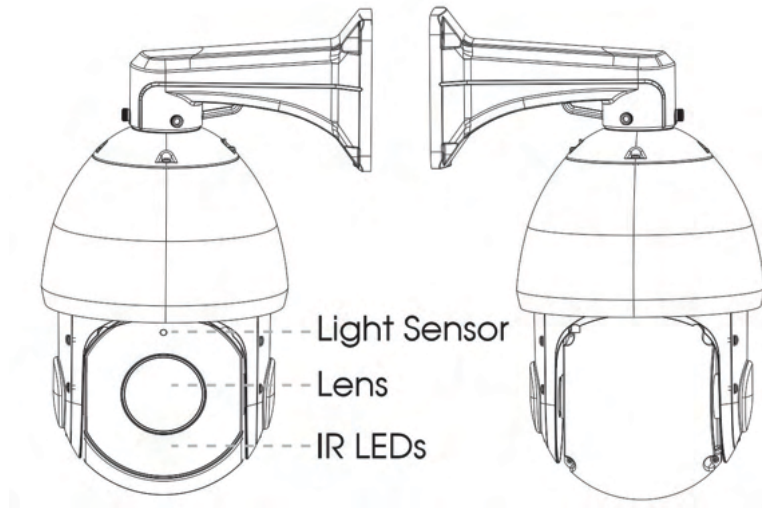
RAM: 1G or Higher

Graphic Memory: 128MB or more

Internet Protocol: TCP / IP (IPv4 / IPv6)

Hardware Overview - Speed Dome Network Camera

AVC-NPTZ51X42L



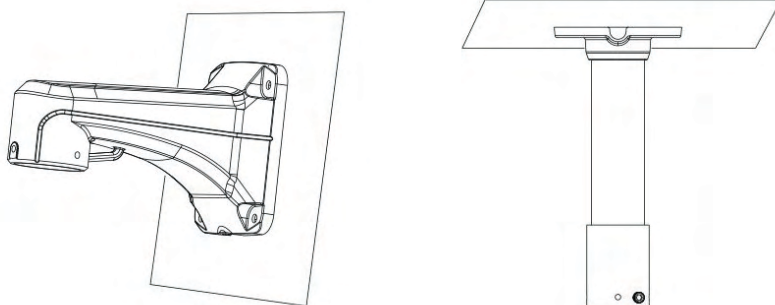
- NOTE:** 1) Only AC 24V is available for Speed Dome Network Camera power supply. AC 24V and PoE+ (802.3at) are available for PoE Speed Dome Network Camera power supply;
2) Built-in SD card slot can be seen after removing the 4 screws and open the front panel;
3) Speed Dome on AI Camera Series only support 30X/36X Optical Zoom Lens.

Camera Installation

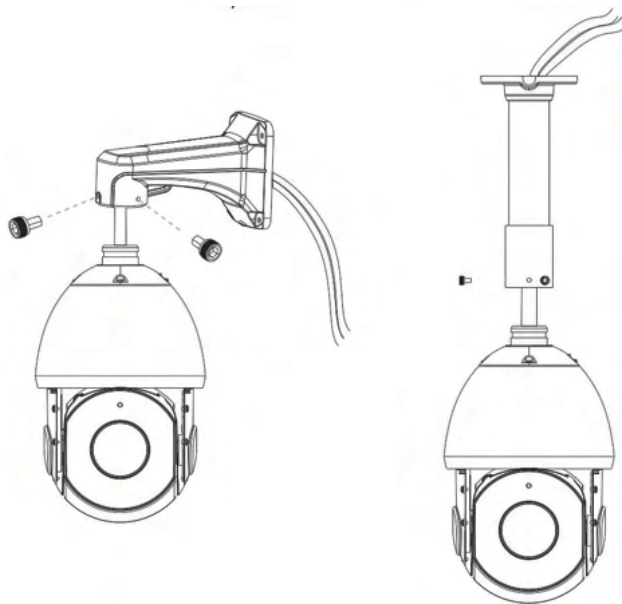
AVC-NPTZ51X42L

Step1: Check the wall or ceiling condition. Ensure that there is sufficient strength to avoid flaking. It should be able to bear the weight eight times larger than the camera's;

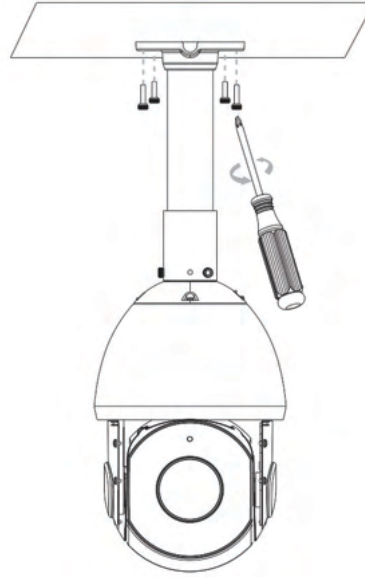
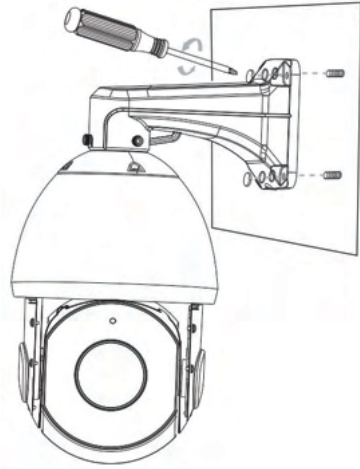
Step2: Use the wall or ceiling hanging holder to mark the holes. Drill 4 holes on the wall or ceiling;



Step3: Put the cables through the holder. Match the holder with the screw holes of the camera body and secure them;



Step4: Make sure that the camera body has been correctly installed to the holder, and match the holder to the holes on the wall or ceiling, then tighten up the screws;

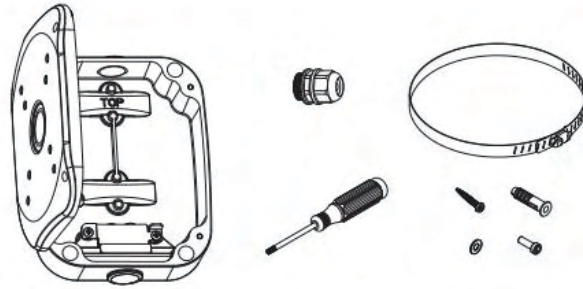


Camera Installation - Mount Accessories

AVC-NPTZ51X42L

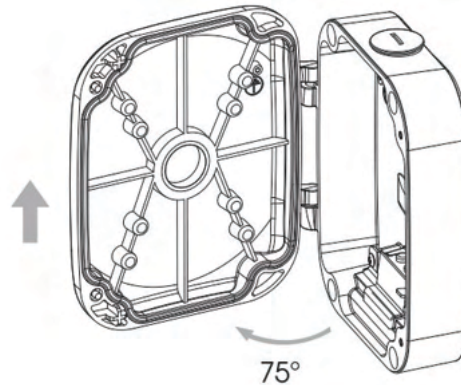
The Junction Box is equipped for Wall Mount and Ceiling Mount in order to bring a rather flexible and easy installation of Speed Dome and Mini PTZ Dome Network Camera.

Loosen the screws to open the front cover and rear cover, take out other parts from the box.

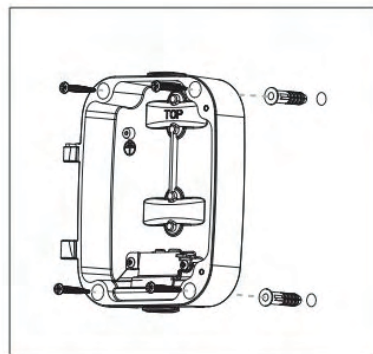


Install on the Wall Mount / Ceiling Mount

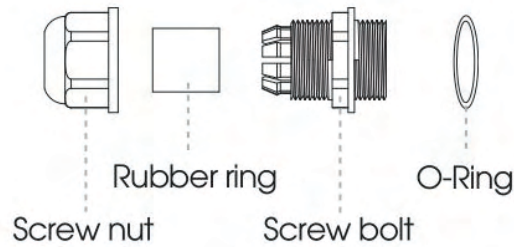
Step 1: Rotate to open the front cover over about 75° to conveniently take off it from the box;



Step 2: Install the rear cover first;



Step 3: Take out the weather-proof connector, separate it to four parts as screw nut, rubber ring, screw bolt and O-ring;

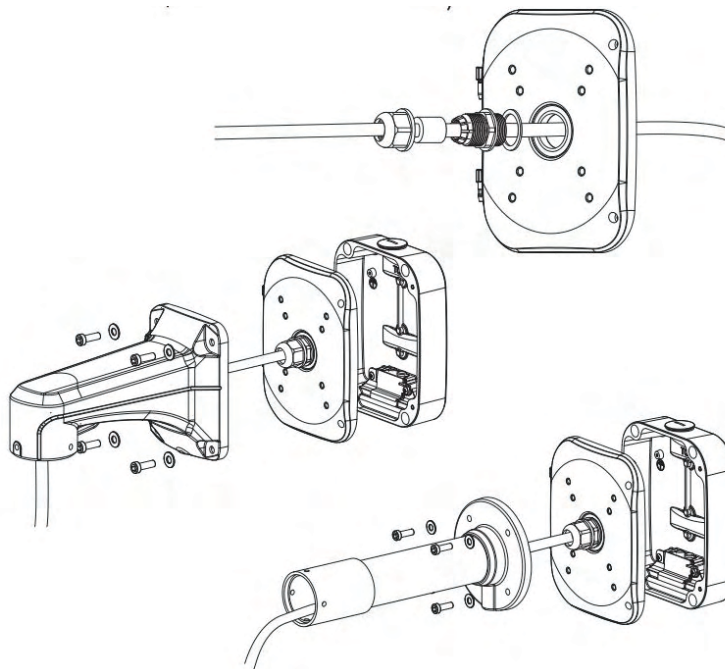


Step 4: Install camera on wall/ceiling mount accessory, put the camera cables through them. The process would be easier if put the larger interface first;

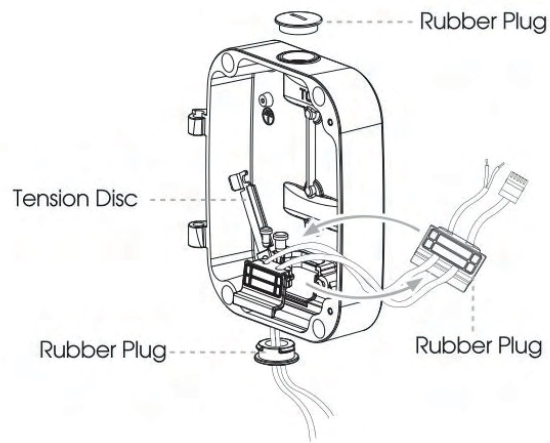
Step 5: Put the camera cables through screw nut, screw bolt and O-ring;

Step 6: Take rubber ring circle over the cables and put it into screw bolt;

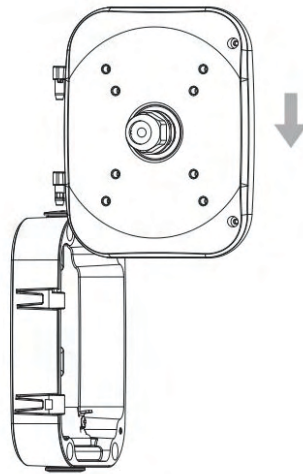
Step 7: Rotate screw nut on screw bolt to tighten, then pass all the cables through the entry hole and rotate the whole weather-proof connector back on the front cover, and lock the accessory back on the front cover;



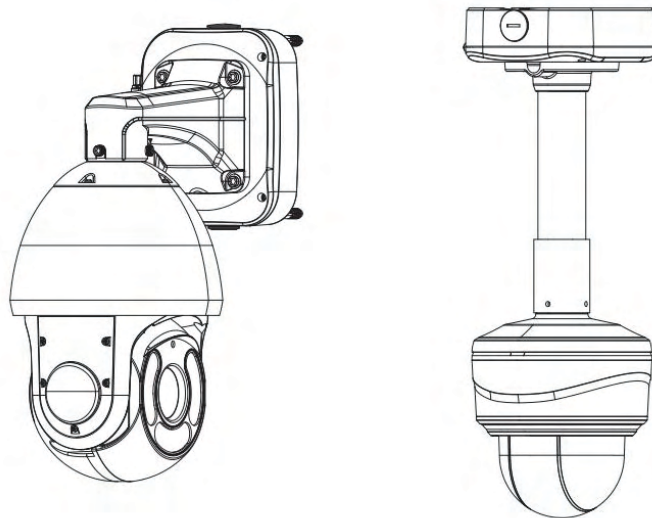
Step 8: The box supports top or bottom cable-out ways as below picture, through the top hole, or tension disc which put cables through bottom or bottom back. For tension disc, please remove it then cut an opening on the rubber plug, get cables through the opening. Please remember to plug the rubber plug whenever the holes on it are not in use;



Step 9: Carefully hold the front cover with wall/ceiling mount accessory and camera, put the front cover stick into the rear cover. The set screw will lock the body securely;

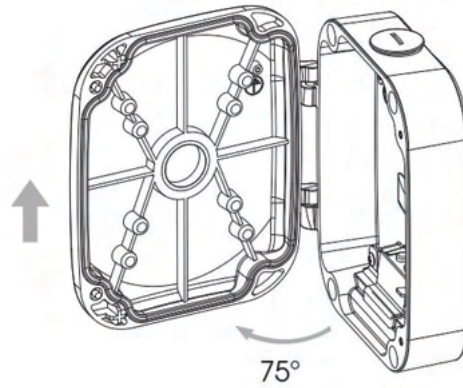


Step 10: Connect camera cables with previous cables. Manage the cables well then close the front cover and lock the screws.

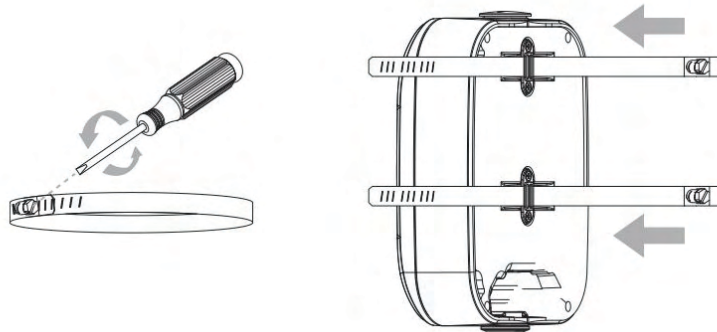


Install on the Pole Mount

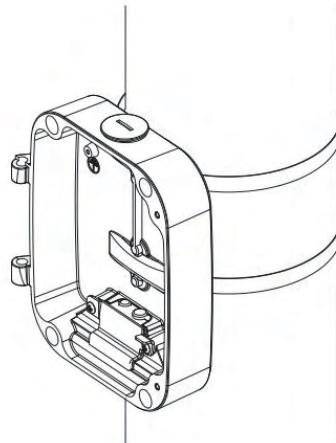
Step 1: Rotate to open the front cover over about 75° to conveniently take off it from the box;



Step 2: Loosen the screws of the fix rings, put rings through the back of the box body;



Step 3: Fix the rings with rear cover on the pole, fasten the screws;

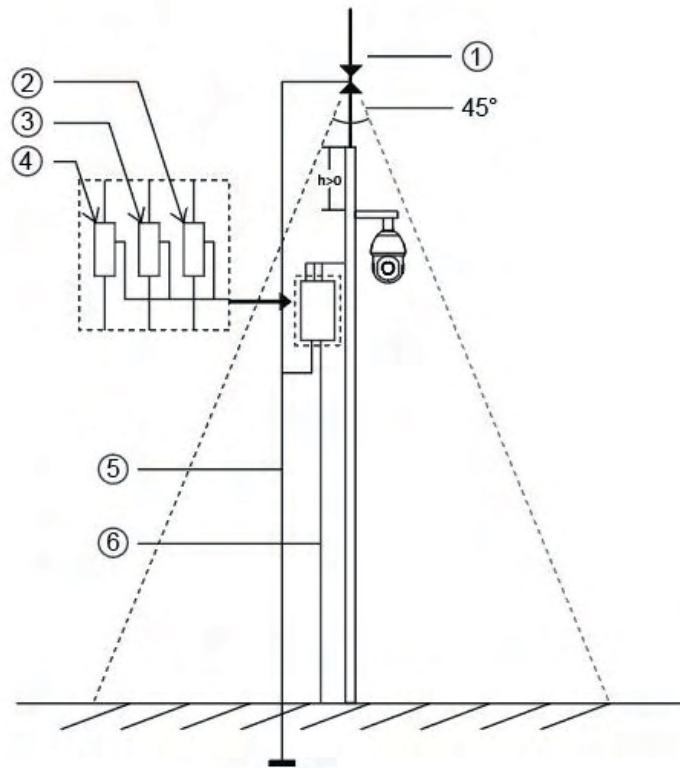


Step 4: The following steps are the same as it installed on the wall mount.

Outdoor Installation

AVC-NPTZ51X42L

The picture below shows an example of outdoor installation:



The devices represented by numbers in the picture are explained as follows:

- ① Lightning rod
- ② Video surge arrester
- ③ Telecommunication surge arrester
- ④ Power surge arrester
- ⑤ Grounding conductor (resistance no more than 4 ohms)
- ⑥ Steel tube protector

Here are some notes for outdoor installation:

- 1) Never use the overhead line in open area.
- 2) Set the line under eave.
- 3) The signal line is at least 50 meters away from the high voltage.
- 4) Attach a lightning rod to the top of the pole on which the camera is going to be mounted.
- 5) Make sure that your camera is not at the top of the pole and must be installed within the lightning rod below 45 degrees.
- 6) Make sure that system adopts equal potential grounding.

Accessing the Network Camera

In order to access the camera on your network, you must assign it an IP address compatible with your network configuration.

Assigning an IP Address

In order to access the camera on your network, you must assign it an IP address compatible with your network configuration. The default address of this camera is 192.168.10.201. You can either change the IP address of a camera using the Tools Utility or manually assign your computer an address to communicate with the camera and log in using the browser to modify the IP address.

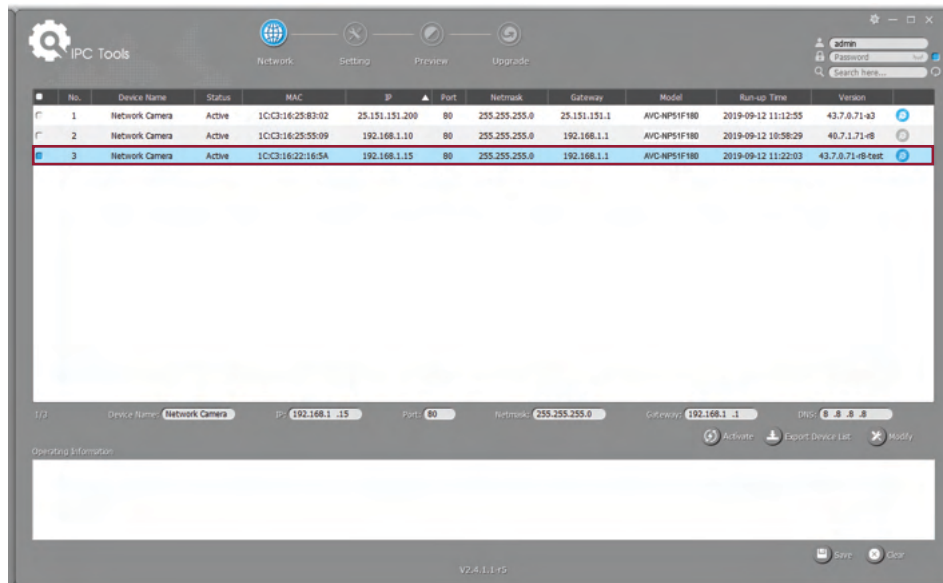
Assigning an IP Address by Using Tools Utility

The Tools utility is a software tool which can automatically detect AVYCON IP cameras on your LAN, modify IP addresses, and manage firmware upgrades. It's recommended to use when assigning IP addresses for multiple cameras.

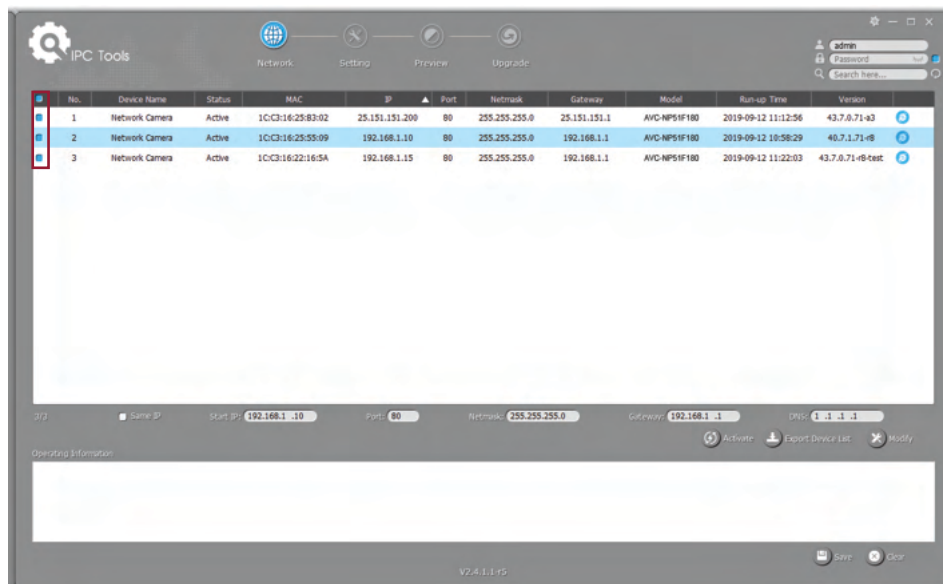
1. Install the Tools utility (This can be downloaded from our website)
2. Start Tools, then click the IPC Tools icon, and then all AVYCON IP cameras on the local network you are connected to will be shown with information such as IP address, MAC address, Status, Port number, Netmask, and Gateway.



3. Select a camera or multiple cameras according to the MAC addresses; the camera must be assigned an IP address to be accessible.

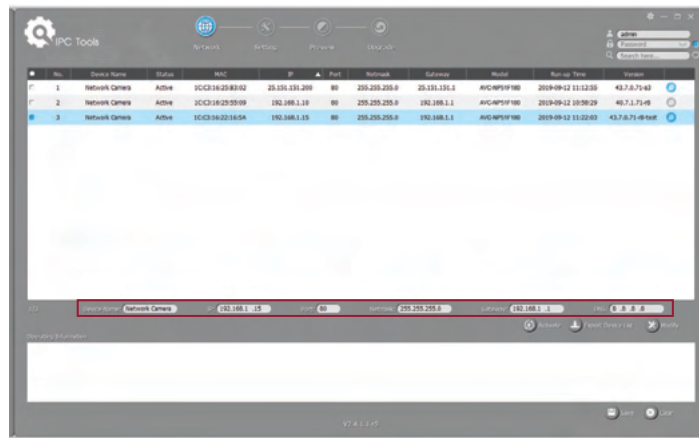



SELECT SINGLE CAMERA



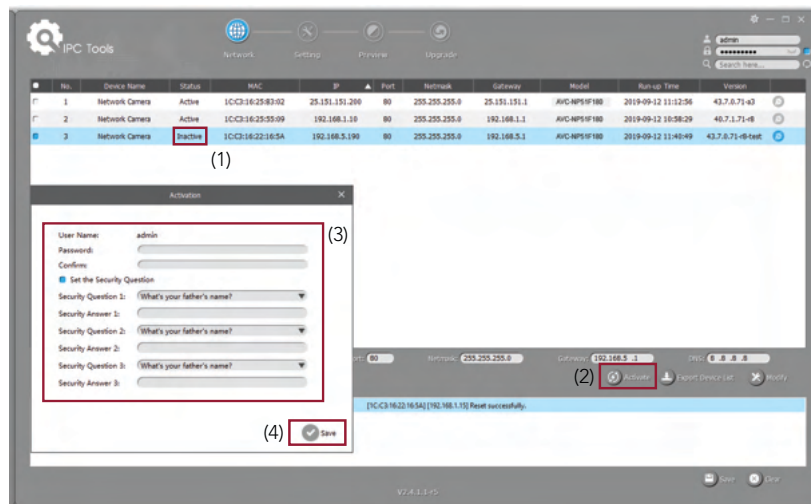
SELECT MULTIPLE CAMERAS

4. If the selected camera shows "Active" in the status bar, you can directly type the User Name and Password you have previously assigned and then make any modifications to the IP address and click on Modify.

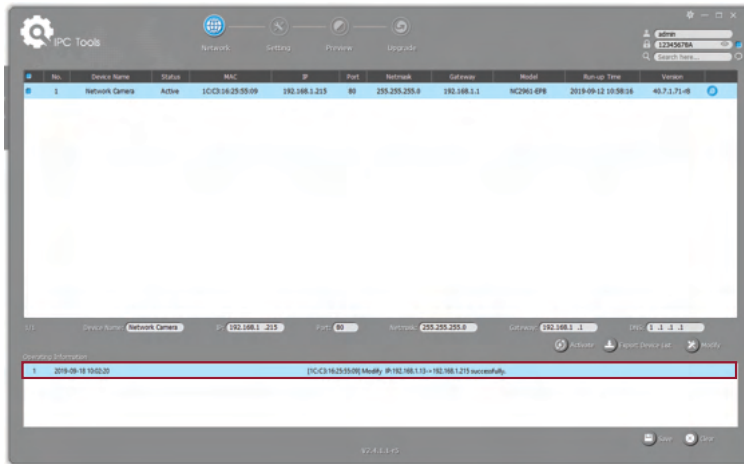


If the selected camera shows "Inactive" in the status bar (Camera with version V4x.7.0.69 or above), click  to set the password when using it for the first time. You can also set the security questions when activating the camera in case that you forget the password (You can reset the password by answering three security questions correctly). Click 'Save' and it will show that the activation was successful.

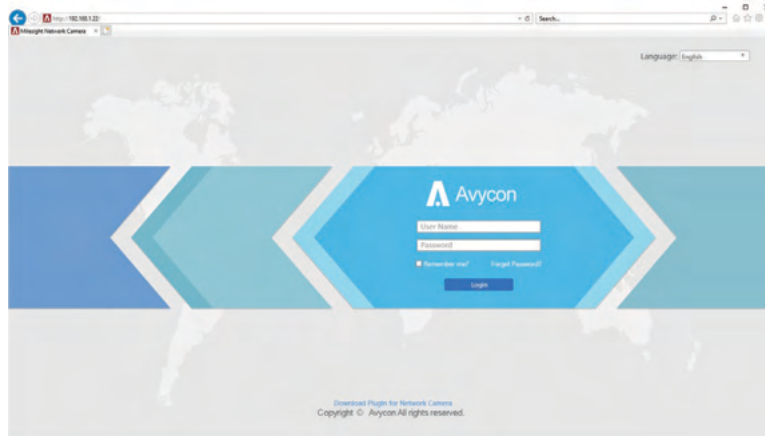
- NOTE:** (1) Password must be 8 to 32 characters long, contain at least one number and one letter.
 (2) You need to be using Tools version V2.4.0.1 or above to activate the camera.



5. After activation, you can change the IP address or other network values, and then click "Modify" button to change the IP address successfully;



6. By double clicking on the selected camera's row or the browser icon of the camera, you can access the camera via a web browser directly with the browser window that will pop up.

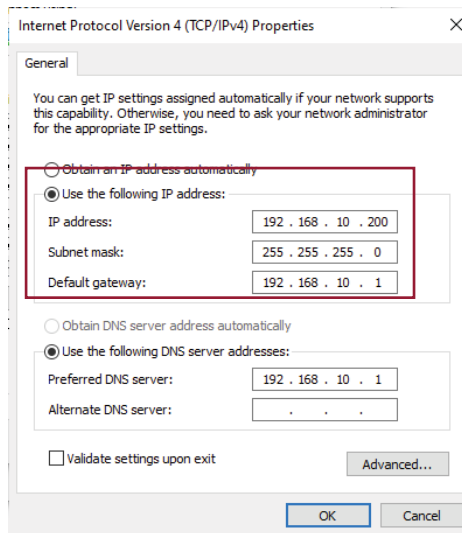


Assigning an IP Address via Browser

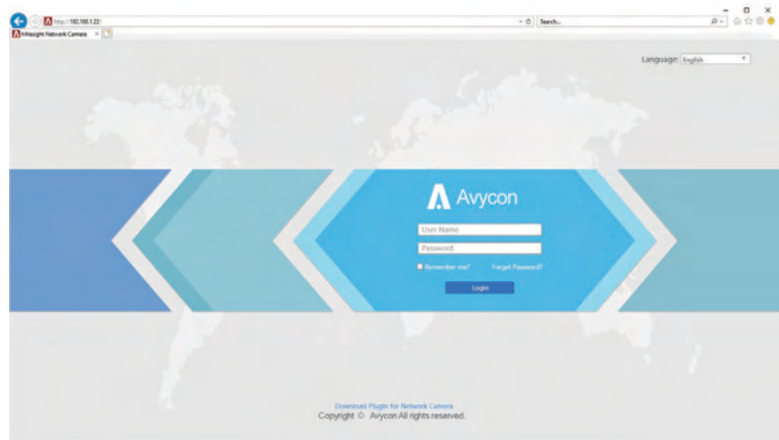
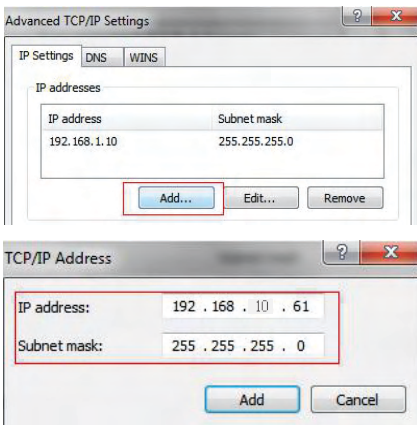
If the network segment of the computer and that of the camera are different, please follow the steps to change the IP address:

1. Change the IP address of computer to 192.168.10.0 segment, here are two ways as below:

A. Start > Control Panel > Network and Internet Connection > Network Connection > Local Area Connection, and double click it.



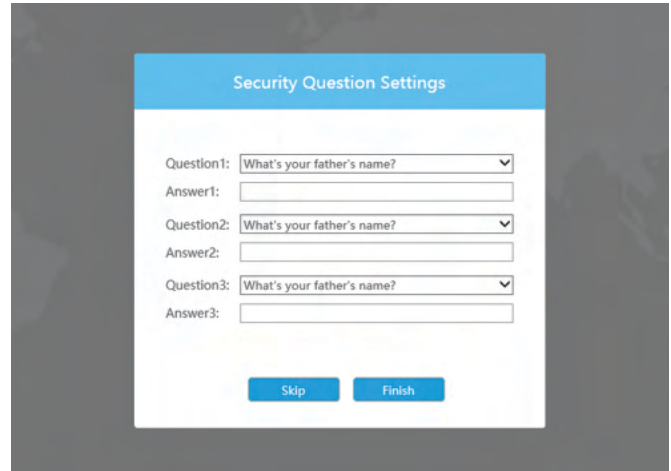
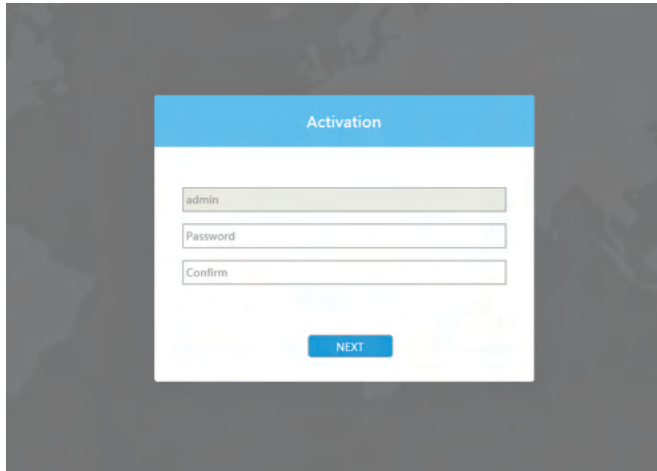
B. Click "Advanced", and then click "IP settings" > "IP address" > "Add". In the pop-up window, enter an IP address that is in the same segment with your Avycon IP camera (e.g. 192.168.10.200, but please confirm that the IP address you pick does not conflict with another address on the network);



2. Start your web browser. In the address bar, enter the default IP address of the camera:
<http://192.168.10.201>;

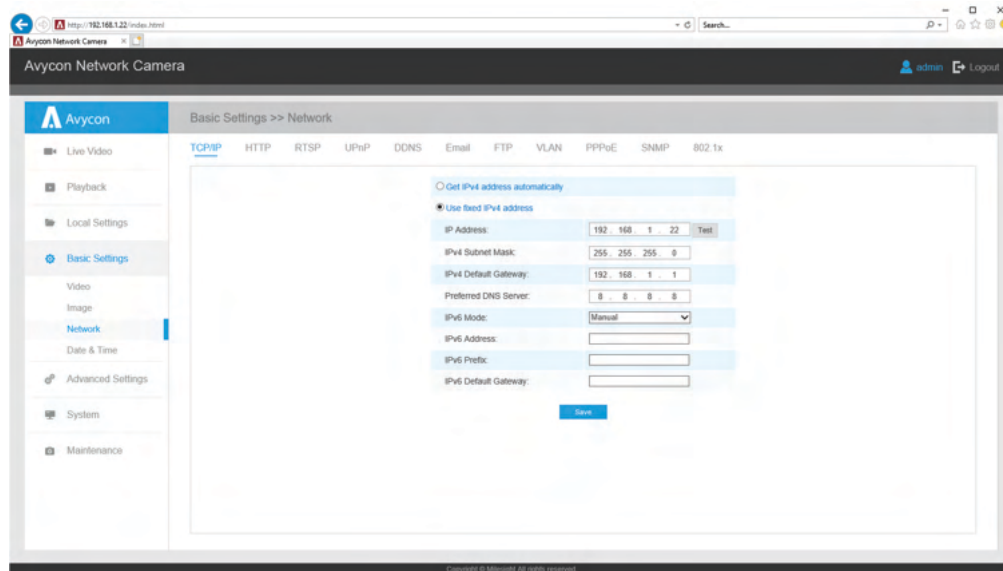
If this is the first time you are logging into the camera, you need to set a password first.

If wanted, you can also set three security questions for your device after activation. You can now use this password to log into the camera.



NOTE: 1. Password must be 8 to 32 characters long, contain at least one number and one letter.

2. You can click the "forget password" in login page to reset the password by answering three security questions when you forget the password, if you set the security questions in advance.



4. After login, please select "Configuration" > "Basic Settings" > "Network" > "TCP/IP".

The Network Settings page appears (Shown as below Figure);

5. Change the IP address or other network values as need, then click on the "Save" button;
6. You should now have completed changing the default IP address.

Accessing from the Web Browser

The camera can be used with the most standard operating systems and browsers.

The recommended browsers are Internet Explorer, Firefox, Chrome, Safari.

Accessing over IE Browser

Before using the browser to get access to your camera, you may need to install the MsActiveX plugin first. Please refer to the steps below:

1. Launch Internet Explorer and enter the IP address of the camera: e.g. 192.168.10.201
2. If this is the first time accessing the camera, you will be prompted to create a password, and also the option to set three security questions for your device after activation. After assigning the new password, you can now log into camera with these new credentials.

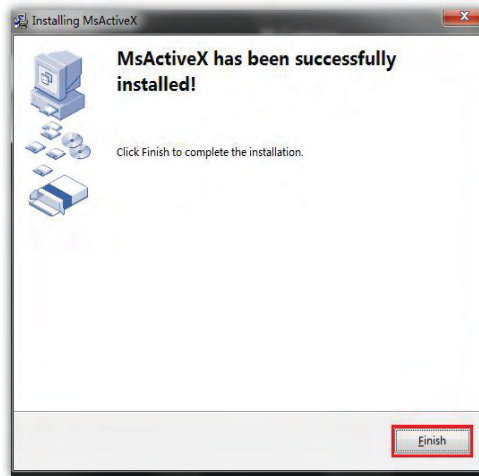
NOTE: 1. Password must be 8 to 32 characters long, contain at least one number and one letter.

2. You can click on "Forget Password" on the login page to reset your password by answering the three security questions you assigned during activation.

3. If this is the first time logging into your IP camera, the browser will prompt you to install the plugin. Please click on link that the window displays to start the download.

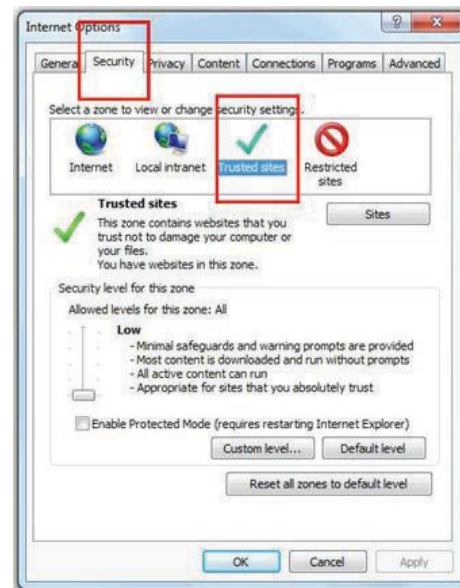
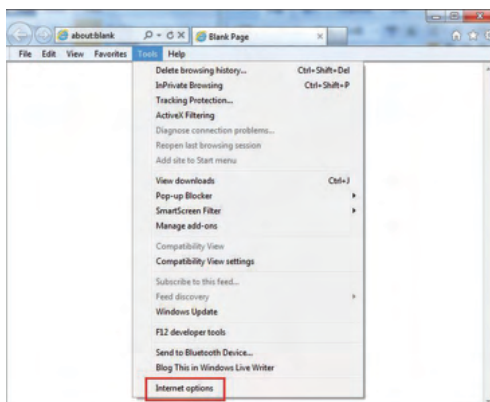
[Click here to download and install controls manually](#)

4. Follow the prompts to install the plugin and when finished, you will see the window below
After the plugin has successfully installed, you can refresh the browser and you should be able to see video.

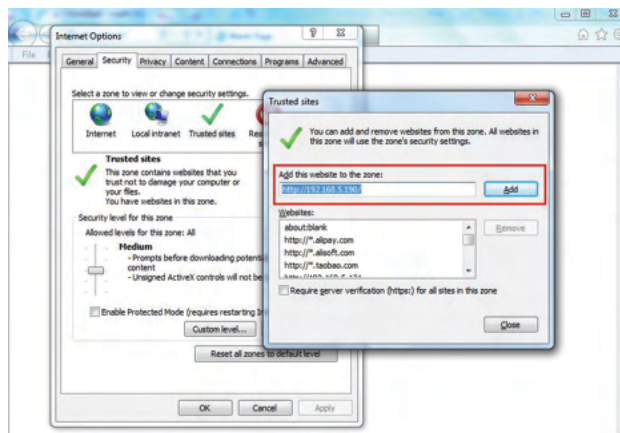


If IE9 or higher version browser is used, it is suggested that the Avycon camera web link should be added as a trusted site. See the instructions as follows:

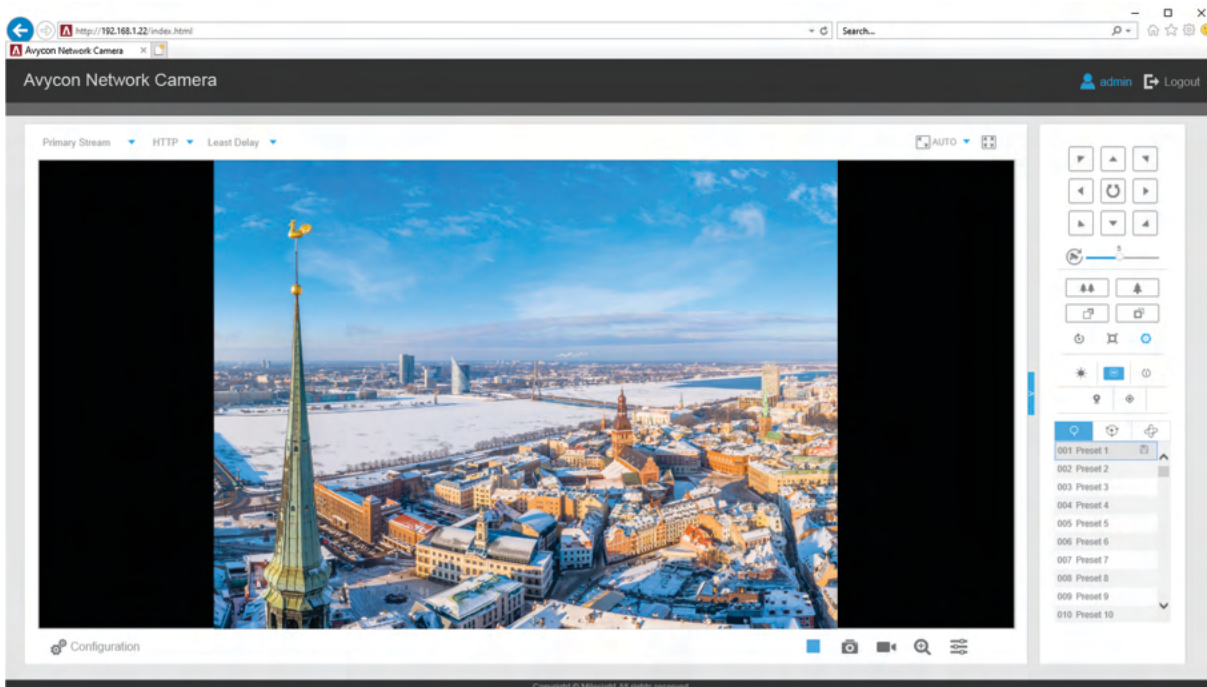
1. Start the IE9 or higher version browser, and select "Tools" > "Internet Options";
2. Select Security, then click on "Trusted Sites"



3. Enter the IP address of the camera in the blank and click "Add";



4. Enter the IP address into your browser's address bar. After logging into your AVYCON IP camera successfully, you should see live video.



AVYCON[®]



AVYCON[®]

Copyright © AVYCON. All rights reserved. Specifications and pricing are subject to change without notice.

phone: 949-752-7606

email: info@avycon.com

social: [@avycon_aivo](#)

website: avycon.com